

Home Care Technical Specification

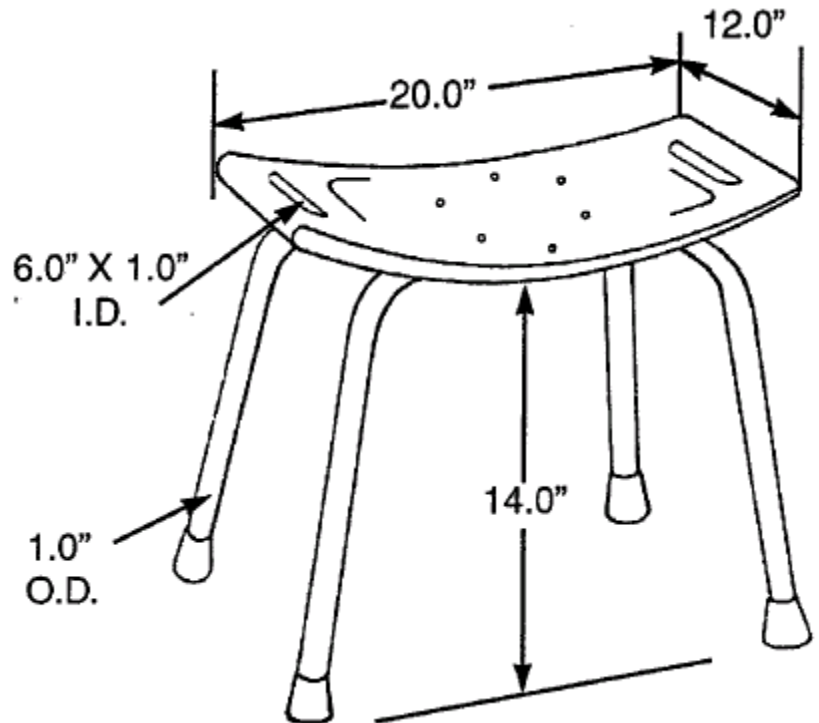
Tub/Shower Seat

DN7035

Stock Numbers:

- DN7035 – Tub/Shower Seat
White
Photo Box Packaging with Handle

Dimensions:



Materials:

ASSEMBLY TESTED
TO CONFIRM ADA
COMPLIANCE



Tub/Shower Seat is made from high impact polypropylene. Legs are anodized aluminum with a powder coated white finish. Feet are gray rubber.

WARNING

TO PREVENT SERIOUS OR FATAL INJURY: Insure product is assembled and used properly. FOR USE ONLY BY PERSONS WEIGHING LESS THAN 250 POUNDS. Failure to follow correct assembly procedures can cause the seat to become unstable. DO NOT jump on, stand on or tilt. Contact CSI immediately at 1-800-882-0116 if any components are missing or damaged. Do not modify or substitute any components. FOR QUESTIONS OR ASSISTANCE WITH ASSEMBLY CONTACT CSI AT 1-800-882-0116. Consult healthcare professional for advice and instructions specific to user's needs before use.

Installation Instructions:

1. Position legs. Place leg "1" into groove "1" of the plastic seat panel so that the number "1" marks are next to each other. Then place leg "2" into groove "2", over leg "1" so that the number "2" marks are next to each other.
2. Attach legs. Insert a 1 1/2" screw through a washer and the center hole of the legs and seat. Tighten several turns. Insert remaining four screws through washers into the four leg holes. Tighten all five screws fully. Test seat. Retighten as needed.

Stock Number: _____ Tub/Shower Seat
By Creative Specialties



25300 AL MOEN DRIVE • NORTH OLMSTED, OH 44070 (800) 321-8809 •
FAX: (800) 848-6636 • INTERNATIONAL: (440) 962-2000 •
FAX: (440) 962-2726 CUSTOMER SERVICE (USA): 800-882-0116
WWW.MOEN.COM
©Copyright Creative Specialties International Literature #BA1682